

On/Off-Grid Switching AC Combiner System

KS-233AG



HIGH PERFORMANCE

- Auto switchover between on-grid and off-grid.
- Ensures uninterrupted power during outages.



EXPANDABLE DESIGN

- Modular setup for easy install and scaling.
- Simplifies future upgrades and maintenance.



SAFE AND RELIABLE

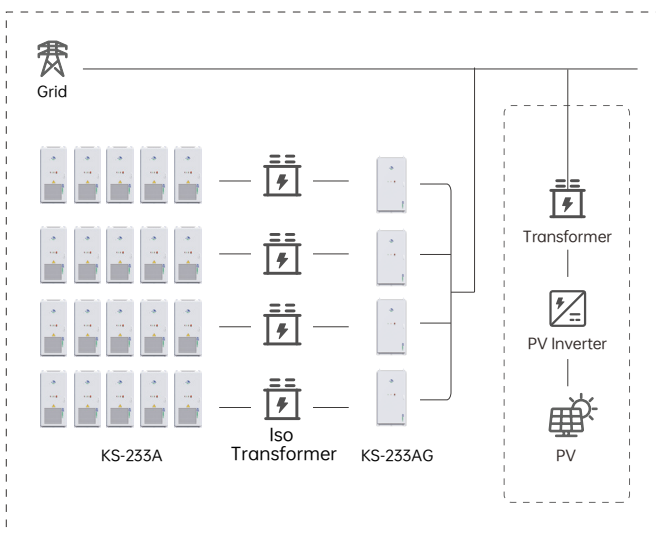
- IP54 design, minimize external environmental impact.
- Full-system safety assurance.



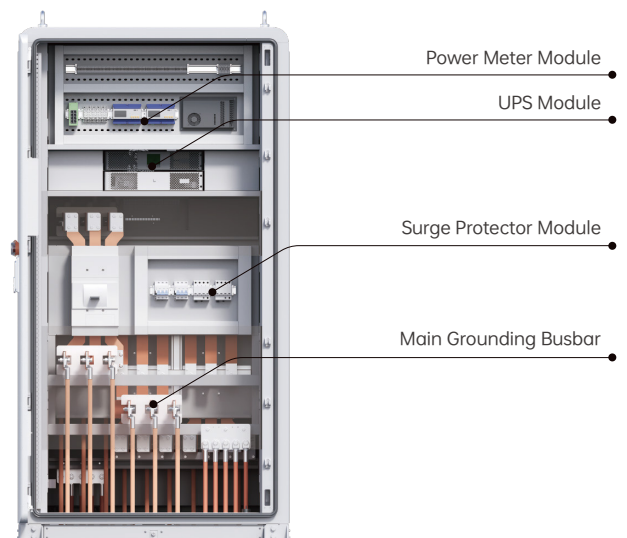
REMOTE CONTROL READY

- Real-time monitoring and remote operation.
- Enhances system management and diagnostics.

System Layout



System Demonstration



● Product Specifications


Product Parameter

Input Voltage (Vac)	480
Access Channel	5
Output Channel	1
Rated Power (kW)	625
Rated Current(A)	751
Grid-connected and Off-grid Switching Time	≤3min
Anti-backflow Protection for Power Grid	Functions Included
Pcs (Power Conversion System) Switch (A)	250
Grid Switch, Load Switch (A)	1000

General Parameters

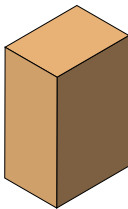
Battery Model	K-AG625ACC01-US
IP Rating	IP54
Dimensions - W*D*H (in)	47.2*57.3*90.6
Total Weight (lb)	~2636
Operating Temperature (°C/°F)	-20~55/-4~131
Storage Temperature (°C/°F)	-20~35/-4~95
Relative Humidity (RH)	0~95%
Altitude	≤2000m/6561ft
Noise Level @1m	<65 dB(A)
Communication Interface	RS485, CAN, LAN
Specifications Matched for Energy Storage Systems	233kWh ESS, Supports Parallel Connection of Up to 5 Units

● Packaging & Shipping Details



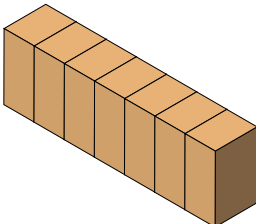
Product

~47.2*57.3*90.6 in
~2636 lb



1Set

~52*64.7*99.6 in
~2910 lb



40C

8 Set
~23280 lb